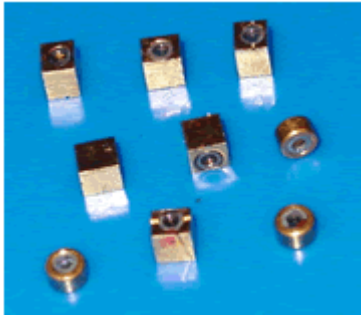


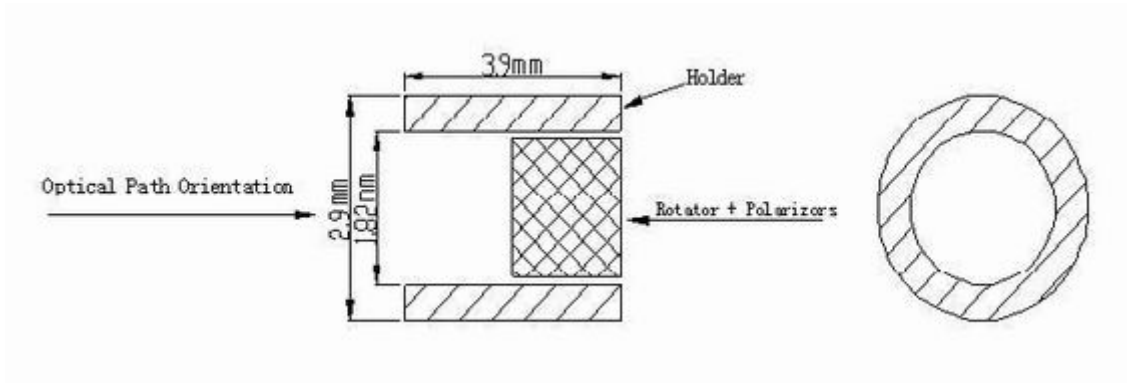
# Isolator Free Space 1064nm



## Specifications

Parameters	Unit	Values	
		Single Stage	Dual Stage
Stage		Single Stage	Dual Stage
Center Wavelength ( $\lambda_c$ )	nm	1064	
Operating Wavelength Range	nm	$\pm 5$	
Typ. Peak Isolation	dB	40	55
Min. Isolation at 23 °C, $\lambda_c$	dB	34	45
Typ. Insertion Loss at 23°C	dB	1.3	2.2
Max. Insertion Loss at 23°C, $\lambda_c$	dB	1.5	2.4
Clear Aperture	mm	0.8	
Tilt Angle of Input Polarization	deg	0	
Max. Optical Power (CW)	mW	300	
Max. Tensile Load	N	5	
Operating Temperature	°C	-5 to +50	
Storage Temperature	°C	-40 to +85	

## Size



### Ordering Information

**FSI-①①-②-③-④**

①①: Wavelength

06 - 1064nm

②: Stage

S - Single Stage

D - Dual Stage

③: Optical Path Orientation

F - Forward (as indicated above)

B - Backward

④: Package Size

3.0 - dia3.0×L3.9